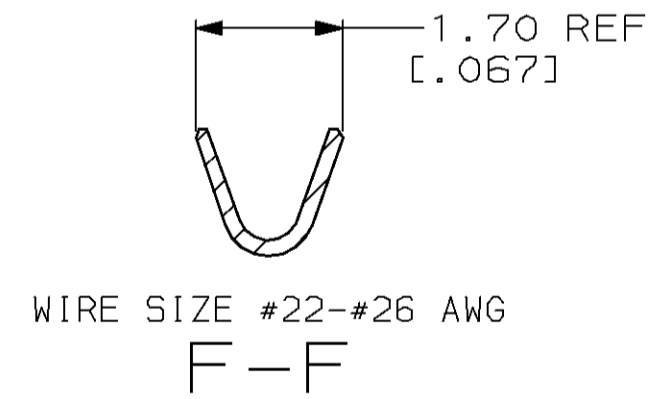
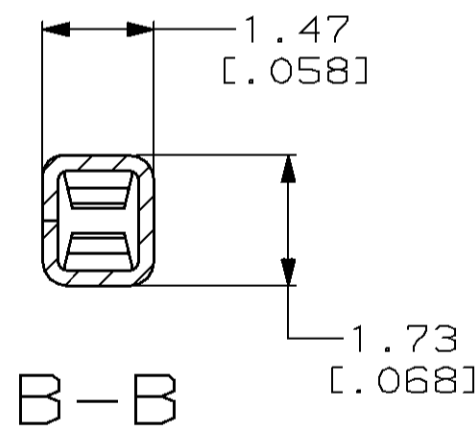
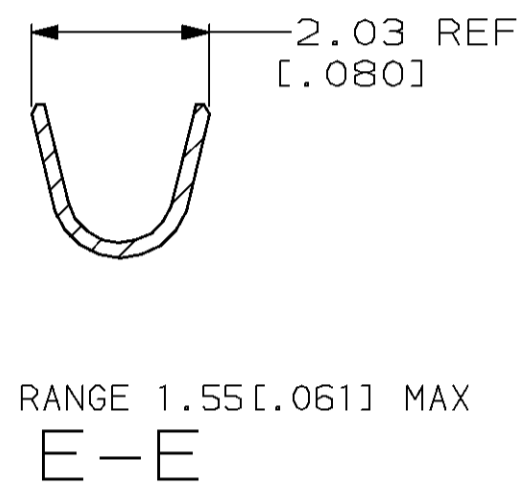
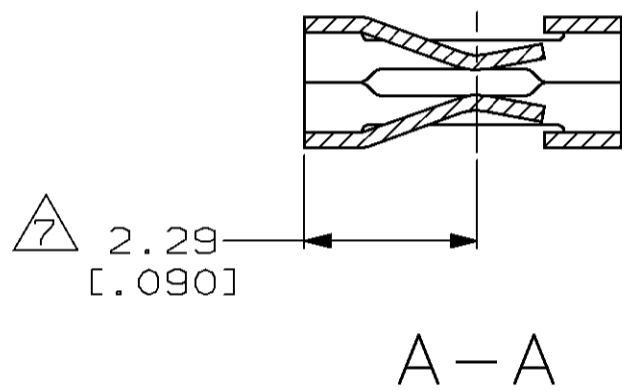
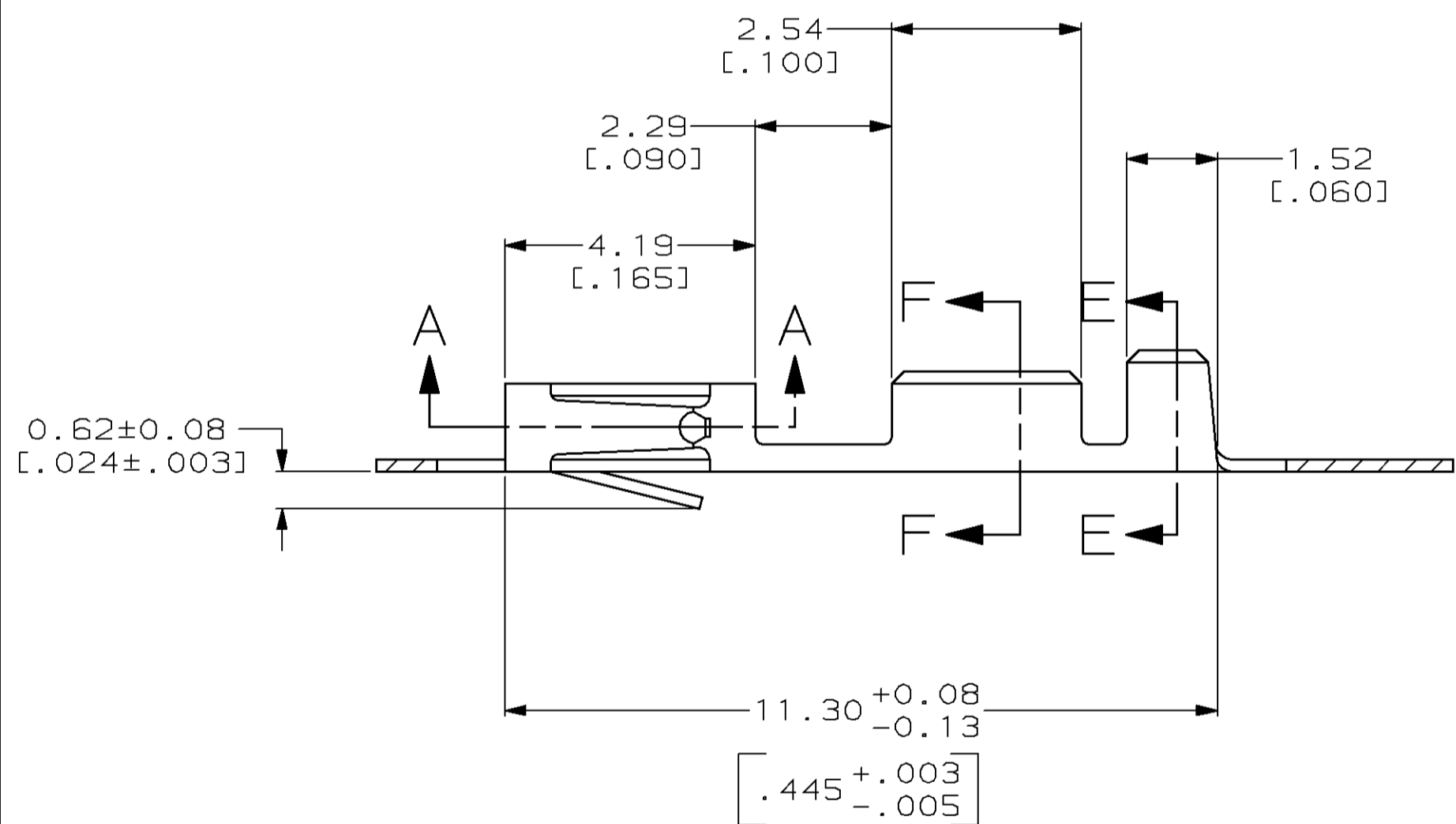
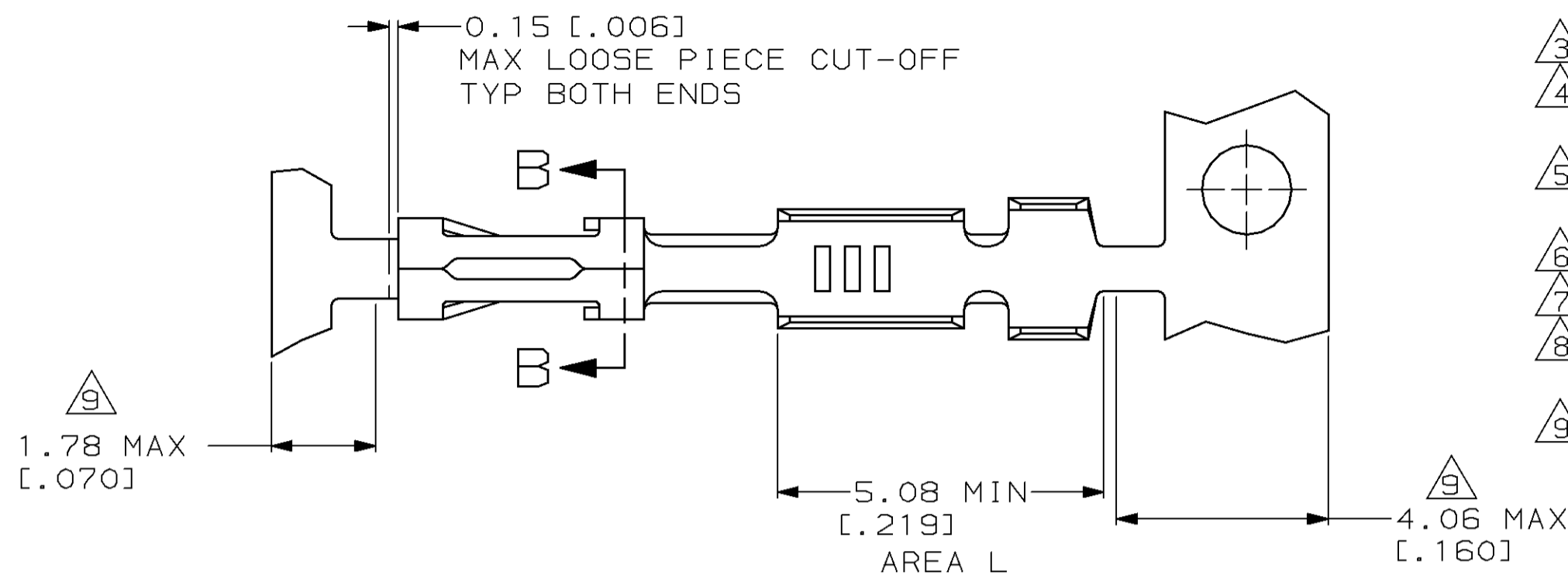


THIS DRAWING IS UNPUBLISHED. RELEASED FOR PUBLICATION
 BY AMP INCORPORATED. ALL RIGHTS RESERVED.

LOC	DIST	REVISIONS					
AD	39	P	LTR	DESCRIPTION	DATE	DWN	APVD
		K		REV PER 0010-1407-95	20-FEB-96	EB	SS

- 1 REELED PER MINI-APPLICATOR.
- 2 0.00076[.000030] GOLD ON CONTACT AREA, GOLD FLASH ON THE REMAINDER, OVER 0.00127[.000050] NICKEL.
- 3 0.00127[.000050]-0.00381[.000150] PREPLATED BRIGHT TIN.
- 4 0.00038[.000015] GOLD IN CONTACT AREA, 0.00254[.000100]-0.00508[.000200] BRIGHT TIN-LEAD IN AREA L, ALL OVER 0.00127[.000050] NICKEL.
- 5 0.00076[.000030] GOLD IN CONTACT AREA, 0.00254[.000100]-0.00508[.000200] BRIGHT TIN-LEAD IN AREA L, ALL OVER 0.00127[.000050] NICKEL.
- 6 SHEARED EDGES PERMITTED TO BE UNPLATED.
- 7 POINT OF MEASUREMENT FOR PLATING THICKNESS (INSIDE BEAMS).
- 8 0.00038[.000015] GOLD ON THE CONTACT AREA, GOLD FLASH ON THE REMAINDER, ALL OVER 0.00127[.000050] NICKEL.
- 9 GOLD LATING NOT REQUIRED IN THIS AREA.



OBsolete	8	87809-6
OBsolete	5	87809-5
OBsolete	4	87809-4
	3	87809-2
	2	87809-1
	FINISH	PART NUMBER

THIS DRAWING IS A CONTROLLED DOCUMENT FOR AMP INCORPORATED. IT IS SUBJECT TO CHANGE AND THE CONTROLLING ENGINEERING ORGANIZATION SHOULD BE CONTACTED FOR THE LATEST REVISION.		DWN E. BRANDBERG 20-FEB-96	AMP AMP Incorporated Harrisburg, PA 17105-3608
DIMENSIONS: mm [INCH]		CHK S. SHUEY 20-FEB-96	
TOLERANCES UNLESS OTHERWISE SPECIFIED: 0 PLC ±- 1 PLC ±- 2 PLC ±0.13[.005] 3 PLC ±- 4 PLC ±- ANGLES ±- FINISH AS NOTED		APVD S. SHUEY 20-FEB-96	NAME CONTACT, FEMALE, MOD V, CRIMP SNAP-IN
MATERIAL PHOS BRONZE 0.20[.008] THK		PRODUCT SPEC 108-25019	SIZE A2
		APPLICATION SPEC 114-25003	CAGE CODE 00779
		WEIGHT -	DRAWING NO C-87809
		CUSTOMER DRAWING	SCALE 10:1 SHEET 1 OF 1 REV K